

PosDrive NX

AC DRIVES

Brake Resistors User Manual

※ PosDrive 는 Danfoss VACON® NX series ODM 제품입니다.

본 매뉴얼은 Danfoss VACON® NX series 매뉴얼을 기준으로 작성되었습니다.

TABLE OF CONTENTS

Document code: DPD01573C

Date edited: 7.12.2016

1. GENERAL.....	2
1.1 The requirements for braking.....	2
1.2 Brake components.....	2
1.3 Classes of use.....	2
2. TECHNICAL DATA.....	3
2.1... Standard resistors for partial use.....	3
2.1.1 380-500V range	4
2.1.2 208-240V range	5
2.1.3 525-690V range	6
2.2 Other resistors.....	8
2.3 Power rating of standard resistors	11
2.4 Environment.....	13
2.5 Thermal protection for the LD resistors.....	14
2.5.1 Thermal protection	15
3. CHOOSING A BRAKE RESISTOR.....	16
3.1 General.....	16
3.2 Sizing principles	16
3.2.1 Calculating braking time.....	17
3.2.2 Calculating the moment of inertia.....	17
3.2.3 Internal resistors.....	21
4. CONNECTIONS.....	22
4.1 General.....	22

1. GENERAL

1.1 The requirements for braking

When you want to slow down a running asynchronous motor fed by an AC drive it turns into a generator, feeding energy back into the AC drive. The energy increases the voltage in the DC-link. The AC drive compensates for this increase by increasing the output frequency, decreasing the instantaneous slip and increasing the motor load.

The deceleration is, in this case, dependent on the power losses in the converter and in the motor. This is usually sufficient in most cases, for pumps, fans, conveyors etc. where the kinetic energy in the load is small or the braking time is not critical.

When you have to brake the motor faster than the losses allow, you have to use an external brake resistor for energy dissipation together with an internal, factory-mounted brake chopper. The extra energy from the load is turned into heat in the brake resistor.

Applications where dynamic braking is usually needed include centrifuges, cranes, some conveyors and AC drives requiring very fast reversing.

1.2 Brake components

The brake chopper is an extra IGBT mounted into the NX AC drives at the time of manufacturing. Smaller AC drives (FR4 to FR6 and MF4 to MF6) contain it as standard. If the DC link voltage increases too much, the brake IGBT turns on and discharges the capacitors through the brake resistor. The brake chopper in the NX AC drive ranges is rated for continuous AC drive rated power.

The brake resistor is an external, low impedance resistor. In order to achieve the correct power handling capacity for a specific application, resistors can be connected in series and parallel, keeping within the limits in Table 7.

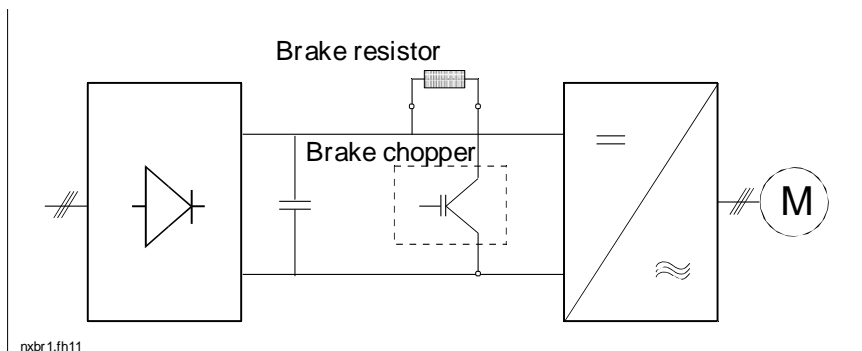


Figure 1. The brake components and their basic connection

1.3 Classes of use

a) Partial use (most typical)

The process requires regular or irregular rapid decelerations, stops or reversings.

b) Continuous use

The motor continuously brakes with constant torque.

c) Combination use

The motor continuously brakes with variable torque.

d) DC-link voltage smoothing

The brake resistor smooths over voltage spikes from the supply.

2. TECHNICAL DATA

2.1 Standard resistors for partial use

Brake resistors for partial use for the NX ranges for 208-240V, 380-500V and 525-690V supply voltages can be chosen from the tables below.

For the NX_5 range we have predefined two ranges of brake resistors, one for heavy duty and one for light duty. The heavy duty resistor is sized for a 3-second full power braking with a 7-second ramp to zero. The light duty resistor is rated for a 5-second ramp from full power to zero. See Figure 2.

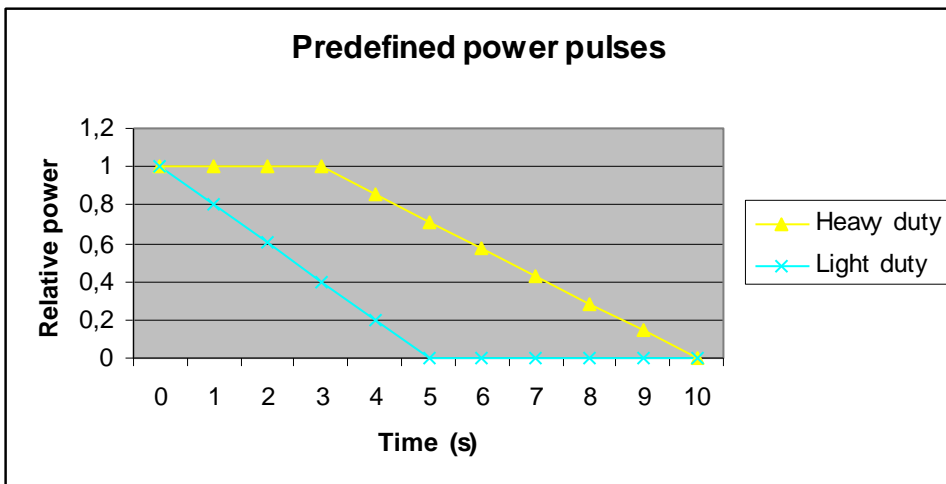


Figure 2. Heavy and light duty braking definitions.

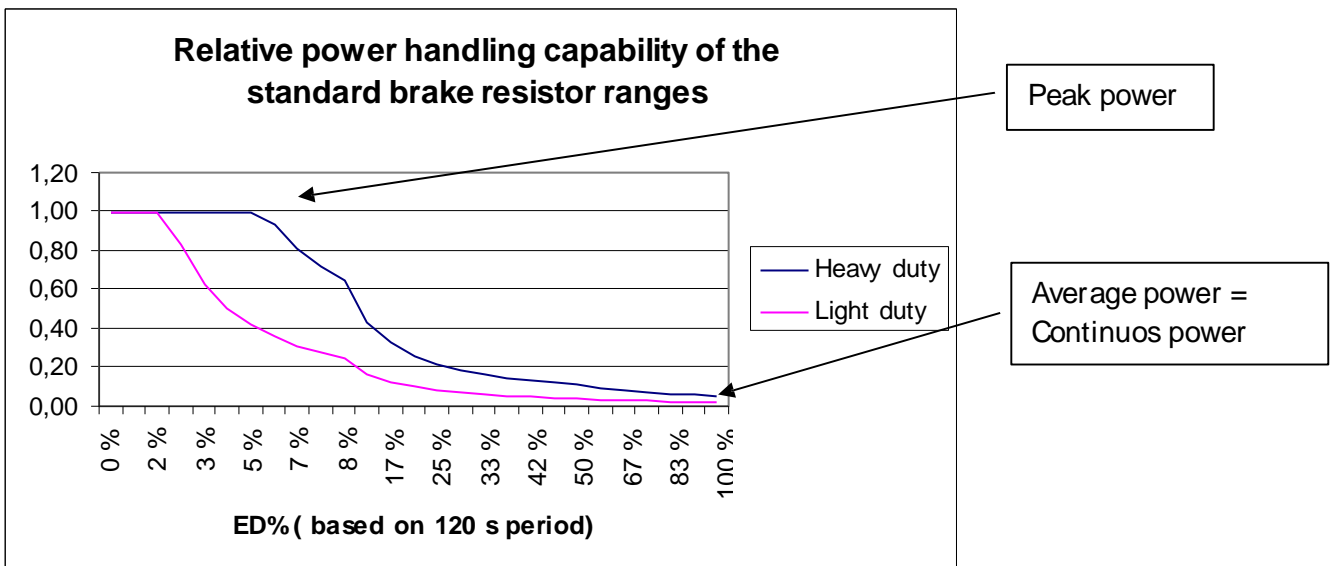


Figure 3. Peak and average power definitions.

2.1.1 380-500V range

Light duty			
		Energy [kJ]	Average power [kW]
Type code	Resistance	5 sec full torque braking	1 pulse/2 min
BRR 0022 LD 5	63	28	0.24
BRR 0031 LD 5	42	42	0.35
BRR 0045 LD 5	21	84	0.71
BRR 0061 LD 5	14	127	1.06
BRR 0105 LD 5	6.5	273	2.28
BRR 0300 LD 5	3.3	547	4.56
BRR 0520 LD 5	1.4	1270	10.6
BRR 0730 LD 5	0.9	1975	16.5
Heavy duty			
		Energy [kJ]	Average power [kW]
Type code	Resistance	3 sec full torque decreasing to zero in 7s	1 pulse / 2min
BRR 0022 HD 5	63	73	0.61
BRR 0031 HD 5	42	110	0.91
BRR 0045 HD 5	21	220	1.83
BRR 0061 HD 5	14	330	2.74
BRR 0105 HD 5	6.5	710	5.9
BRR 0300 HD 5	3.3	1421	11.8
BRR 0520 HD 5	1.4	3300	27.4
BRR 0730 HD 5	0.9	5132	43

Table 1. Brake resistors for the voltage range 380-500V

Choose the resistor for all types of AC drives (NXL, NXS and NXP) according to the table below:

Unit	Enclosure size	Light duty resistor	Heavy duty resistor
NX_0003 5 NX_0004 5 NX_0005 5 NX_0007 5 NX_0009 5 NX_0012 5	FR4	BRR 0022 LD 5	BRR 0022 HD 5
NX_0016 5 NX_0022 5	FR5	BRR 0022 LD 5	BRR 0022 HD 5
NX_0031 5	FR5	BRR 0031 LD 5	BRR 0031 HD 5
NX_0038 5 NX_0045 5	FR6	BRR 0045 LD 5	BRR 0045 HD 5
NX_0061 5	FR6	BRR 0061 LD 5	BRR 0061 HD 5
NX_0072 5 NX_0087 5	FR7	BRR 0105 LD 5	BRR 0105 HD 5
NX_0105 5 NX_0140 5	FR7 FR8	BRR 0105 LD 5 BRR 0300 LD 5	BRR 0105 HD 5 BRR 0300 HD 5

NX_0168 5			
NX_0205 5	FR8	BRR 0300 LD 5	BRR 0300 HD 5
NX_0261 5	FR9	BRR 0300 LD 5	BRR 0300 HD 5
NX_0300 5			
NX_0385 5	FR10	BRR 0520 LD 5	BRR 0520 HD 5
NX_0460 5			
NX_0520 5			
NX_0590 5	FR11	BRR 0730 LD 5	BRR 0730 HD 5
NX_0650 5			
NX_0730 5			
NX_0820 5	FR12	2 x BRR 0520 LD 5	2 x BRR 0520 HD 5
NX_0920 5			
NX_1030 5			

Table 2. Brake resistors used with AC drives

Light duty resistor: IP50 with direct wire connection, BRR0022 LD5 has a thermal protection as option.
 Heavy duty resistor: IP20/21, connecting box, thermal protection as standard.

2.1.2 208-240V range

Light duty			
		Energy [kJ]	Average power [kW]
Type code	Resistance	5 sec full torque braking	1 pulse/2 min
BRR 0025 LD2	30	12.55	0.10
BRR 0031 LD2	20	18.8	0.16
BRR 0061 LD2	10	38	0.31
BRR 0114 LD2	3.3	114	0.95
BRR 0205 LD2	1.4	269	2.24
Heavy duty			
		Energy [kJ]	Average power [kW]
Type code	Resistance	3 sec full torque decreasing to zero in 7 sec	1 pulse / 2min
BRR 0034 LD6	30	32.6	0.27
BRR 0031 HD2	20	49	0.41
BRR 0061 HD2	10	98	0.81
BRR 0114 HD2	3.3	297	2.47
BRR 0205 HD2	1.4	699	5.81

Table 3. Brake resistors for the voltage range 208-240V

Choose the resistor for the AC drive (voltage range 208- 240V) according to the table below:

Unit	Enclosure size	Light duty resistor	Heavy duty resistor
NX_0003 2 NX_0004 2 NX_0007 2 NX_0008 2 NX_0011 2 NX_0012 2	FR4	BRR 0025 LD 2	BRR 0034 LD6 *
NX_0017 2 NX_0025 2	FR5	BRR 0025 LD 2	BRR 0034 LD6 *
NX_0031 2	FR5	BRR 0031 LD 2	BRR 0031 HD 2
NX_0048 2 NX_0061 2	FR6	BRR 0061 LD 2	BRR 0061 HD 2
NX_0075 2 NX_0088 2 NX_0114 2	FR7	BRR 0114 LD 2	BRR 0114 HD 2
NX_0140 2 NX_0170 2 NX_0205 2	FR8	BRR 0205 LD2	BRR 0205 HD2
NX_0261 2 NX_0300 2	FR9	BRR 0205 LD2	BRR 0205 HD2

Table 4. Brake resistors used with AC drives

* = Thermal switch (OT1) optional.

Light duty resistor: IP50 with direct wire connection.

Heavy duty resistor: IP20/21, connecting box, thermal protection as standard.

2.1.3 525-690V range

Light duty			
		Energy [kJ]	Average power [kW]
Type code	Resistance	5 sec full torque braking	1 pulse/2 min
BRR 0013 LD 6	100	34	0.28
BRR 0034 LD 6	30	113	0.94
BRR 0052 LD 6	18	188	1.6
BRR 0100 LD 6	9	376	3.1
BRR 0208 LD 6	7	484	4.0
BRR 0416 LD 6	2.5	1355	11
BRR 0590 LD 6	1.7	1993	17
Heavy duty			
		Energy [kJ]	Average power [kW]
Type code	Resistance	3 sec full torque decreasing to zero in 7 sec	1 pulse / 2min
BRR 0013 HD 6	100	88	0.73

BRR 0034 HD 6	30	294	2.4
BRR 0052 HD 6	18	489	4.1
BRR 0100 HD 6	9	978	8.1
BRR 0208 HD 6	7	1258	10
BRR 0416 HD 6	2.5	3523	29
BRR 0590 HD 6	1.7	5181	43

Table 5. Brake resistors for the voltage range 525-690V

Choose the resistor for the AC drive (voltage range 208-240V) according to the table below:

Unit	Enclosure size	Light duty resistor	Heavy duty resistor
NX_0003 6 NX_0004 6 NX_0005 6 NX_0007 6 NX_0010 6 NX_0013 6	FR6	BRR 0013 LD 6	BRR 0013 HD 6
NX_0018 6 NX_0022 6 NX_0027 6 NX_0034 6	FR6	BRR 0034 LD 6	BRR 0034 HD 6
NX_0041 6 NX_0052 6	FR7	BRR 0052 LD 6	BRR 0052 HD 6
NX_0062 6 NX_0080 6 NX_0100 6	FR8	BRR 0100 LD 6	BRR 0100 HD 6
NX_0144 6 NX_0170 6 NX_0208 6	FR9	BRR 0208 LD 6	BRR 0208 HD 6
NX_0261 6 NX_0325 6 NX_0385 6 NX_0416 6	FR10	BRR 0416 LD 6	BRR 0416 HD 6
NX_0460 6 NX_0502 6 NX_0590 6	FR11	BRR 0590 LD 6	BRR 0590 HD 6
NX_0650 6 NX_0750 6 NX_0820 6	FR12	BRR 0416 LD 6	BRR 0416 HD 6

Table 6. Brake resistors used with AC drives

Light duty resistor: IP50 with direct wire connection.

Heavy duty resistor: IP20/21, connecting box, thermal protection as standard.

2.2 Other resistors

If other types of resistors are used, make sure that the resistance is higher than the minimum resistance defined. The power handling capacity must be sufficient for the application.

Mains voltage 208-240 V, 50/60 Hz, 3~			
Enclosure size	Drive type	The minimum brake resistance [Ω]	Brake power* @405 VDC [kW]
FR4	0003	30	0.55
	0004	30	0.75
	0007	30	1.1
	0008	30	1.5
	0011	30	2.2
	0012	30	3.0
FR5	0017	30	4.0
	0025	30	5.5
	0031	20	7.5
FR6	0048	10	11.0
	0061	10	15.0
FR7	0075	3.3	22.0
	0088	3.3	22.0
	0114	3.3	30.0
FR8	0140	1.4	37.0
	0170	1.4	45.0
	0205	1.4	55.0
FR9	0261	1.4	75.0
	0300	1.4	90.0

Table 7. Specification for other types of resistors

* When you use the recommended resistor types.

Mains voltage 380-500 V, 50/60 Hz, 3~			
Enclosure size	Drive type	The minimum brake resistance [Ω]	Brake power * @845 VDC [kW]
FR4	0003	63	1.5
	0004	63	2.2
	0005	63	3.0
	0007	63	4.0
	0009	63	5.5
	0012	63	7.5
FR5	0016	63	11.0
	0022	63	11.3
	0031	42	17.0
FR6	0038	19	22.0
	0045	19	30.0
	0061	14	37.0
FR7	0072	6.5	45.0
	0087	6.5	55.0
	0105	6.5	75.0
FR8	0140	3.3	90.0
	0168	3.3	110.0
	0205	3.3	132.0
FR9	0261	2.5	160.0
	0300	2.5	200.0
FR10	0385	1.4	250.0
	0460	1.4	315.0
	0520	1.4	355.0
FR11	0590	0.9	400.0
	0650	0.9	450.0
	0730	0.9	500.0
FR12	0820	2 x 1.4	560.0
	0920	2 x 1.4	630.0
	1030	2 x 1.4	710.0

Table 8. Specification of brake resistors in 380-500 V

* When you use the recommended resistor types.

Mains voltage 525-690 V, 50/60 Hz, 3~			
Enclosure size	Drive type	The minimum brake resistance [Ω]	Brake power* @1166 VDC [kW]
FR6	0004	100	3.0
	0005	100	4.0
	0007	100	5.5
	0010	100	7.5
	0013	100	11.0
	0018	30	15.0
	0022	30	18.5
	0027	30	22.0
	0034	30	30.0
FR7	0041	18	37.5
	0052	18	45.0
FR8	0062	9	55.0
	0080	9	75.0
	0100	9	90.0
FR9	0125	6.7	110.0
	0144	6.7	132.0
	0170	6.7	160.0
	0208	6.7	194.2
FR10	0261	2.5	250.0
	0325	2.5	315.0
	0385	2.5	355.0
	0416	2.5	400.0
FR11	0460	1.7	450.0
	0502	1.7	500.0
	0590	1.7	560.0
FR12	0650	2 x 2.5	630.0
	0750	2 x 2.5	710.0
	0820	2 x 2.5	800.0

Table 9. Specification of brake resistors in 525-690 V

* When you use the recommended resistor types.

2.3 Power rating of standard resistors

The power handling capacity of the standard resistors as a function of the duty cycle is shown in Figure 4. The figure shows the relative power handling capacity at various duty cycles, i.e. compared to continuous 120 s braking.

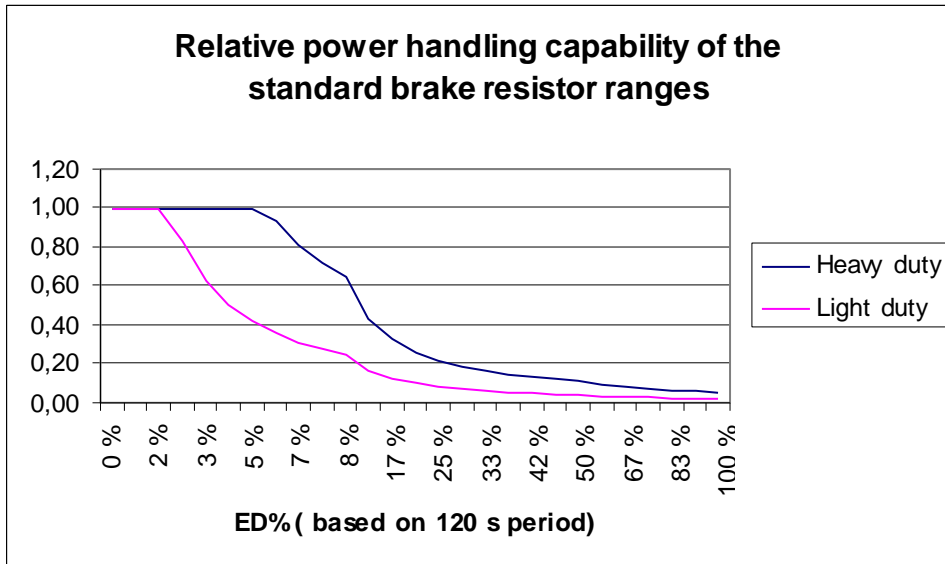


Figure 4. Relative power rating of standard resistors

	Power at different duty cycles based on a 120 sec cycle					
	100% ED	60% ED	40 % ED	25 % ED	10 % ED	5 % ED
	kW					
BRR 0025 LD 2	0.10	0.17	0.26	0.42	1.0	2.1
BRR 0031 LD 2	0.16	0.26	0.39	0.63	1.6	3.1
BRR 0061 LD 2	0.31	0.52	0.78	1.3	3.1	6.3
BRR 0114 LD 2	0.95	1.6	2.4	3.8	9.5	19.0
BRR 0205 LD 2	2.2	3.7	5.6	9.0	22	45
BRR 0022 LD 5	0.24	0.39	0.59	0.94	2.4	4.7
BRR 0031 LD 5	0.35	0.59	0.88	1.41	3.5	7.1
BRR 0045 LD 5	0.71	1.2	1.8	2.8	7.1	14.1
BRR 0061 LD 5	1.1	1.8	2.6	4.2	10.6	21
BRR 0105 LD 5	2.3	3.8	5.7	9.1	23	46
BRR 0300 LD 5	4.6	7.6	11.4	18.2	46	91
BRR 0520 LD 5	11	17.6	26	42	106	212
BRR 0730 LD 5	16	27	41	66	165	329
BRR 0013 LD 6	0.28	0.47	0.71	1.13	2.8	5.6
BRR 0034 LD 6	0.94	1.6	2.4	3.8	9.4	18.8
BRR 0052 LD 6	1.6	2.6	3.9	6.3	15.7	31
BRR 0100 LD 6	3.1	5.2	7.8	12.5	31	63
BRR 0208 LD 6	4.0	6.7	10.1	16.1	40	81
BRR 0416 LD 6	11	19	28	45	113	226
BRR 0590 LD 6	17	28	42	66	166	332
BRR 0031 HD 2	0.41	0.68	1.0	1.6	4.1	8.1

BRR 0061 HD 2	0.81	1.4	2.0	3.3	8.1	16.3
BRR 0114 HD 2	2.5	4.1	6.2	9.9	25	49
BRR 0205 HD 2	5.8	9.7	14.5	23	58	116
BRR 0022 HD 5	0.61	1.02	1.52	2.44	6.1	12.2
BRR 0031 HD 5	0.91	1.5	2.3	3.7	9.1	18.3
BRR 0045 HD 5	1.8	3.0	4.6	7.3	18.3	37
BRR 0061 HD 5	2.7	4.6	6.9	11.0	27	55
BRR 0105 HD 5	5.9	9.8	14.8	24	59	118
BRR 0300 HD 5	11.8	19.7	30	47	118	236
BRR 0520 HD 5	27	46	69	110	274	549
BRR 0730 HD 5	43	71	107	171	427	854
BRR 0013 HD 6	0.73	1.2	1.8	2.9	7.3	14.6
BRR 0034 HD 6	2.4	4.1	6.1	9.8	24	49
BRR 0052 HD 6	4.1	6.8	10.2	16.3	41	81
BRR 0100 HD 6	8.1	13.6	20	33	81	163
BRR 0208 HD 6	10	17.4	26	42	105	209
BRR 0416 HD 6	29	49	73	117	293	586
BRR 0590 HD 6	43	72	108	172	431	862

Table 10.

2.4 Environment

Surface temperature of the resistor box	<80°C
Maximum ambient temperature	30°C
Protection class	IP20, IP21, IP50

NOTE! On mounting the resistor package, note the high surface temperature (up to 200 °C). The mounting surface must be non-flammable and there must be sufficient free space around the resistor (100 mm).

The resistors are designed for natural convection cooling in a free space. Ensure sufficient ventilation of the area.

2.5 Thermal protection for the LD resistors

There are two different overtemperature sensors in use – one for the resistors with a smooth surface and the other for the ones with cooling fins. The larger steel plate resistors have a thermal supervision built in as standard.

OT1 – for brake resistors with cooling fins



Figure 5. Thermal supervision OT1

This is intended to be mounted on the lower (connector) end when the resistor is mounted vertically. It is screwed onto the fins.

BRR 0114 LD 2	BRR 0031 LD 5	BRR 0034 LD 6
BRR 0205 LD 2	BRR 0045 LD 5	BRR 0052 LD 6
	BRR 0061 LD 5	BRR 0100 LD 6
	BRR 0105 LD 5	BRR 0206 LD 6
BRR 0031 HD 2	BRR 0300 LD 5	
BRR 0061 HD 2		BRR 0013 HD 6
BRR 0114 HD 2	BRR 0022 HD 5	BRR 0034 HD 6
BRR 0205 HD 2	BRR 0031 HD 5	
	BRR 0045 HD 5	
	BRR 0061 HD 5	

Table 11. Types

OT2

This thermal supervision is designed for the resistors with a smooth surface. The thermistor is placed beneath the clip and the clip clipped onto the resistor surface.

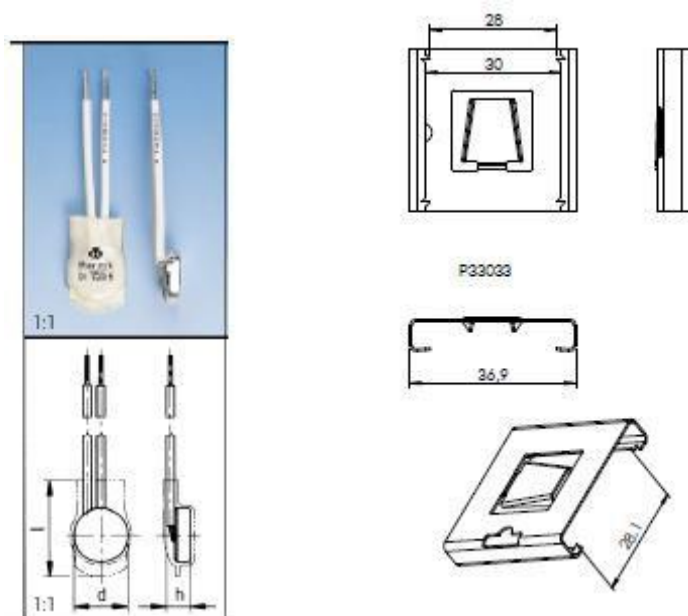


Figure 6. Thermal protection and the holder for it

2.5.1 Thermal protection

The thermal protection in the resistors should be connected to the external Fault input on the AC drive.

3. CHOOSING A BRAKE RESISTOR

3.1 General

When you choose the brake resistor for your AC drive, start from the requirements of the process/AC drive.

The choice of brake resistor is influenced by

- a) *the average braking power during one cycle* ; this defines the power dissipation required of the brake resistor
- b) *the maximum power dissipation* ; this defines the instantaneous power handling capacity of the brake resistor and
- c) *the maximum current of the brake IGBT* ; this defines the minimum resistance for the brake resistor.

VACON Technical Support will assist you in all matters concerning braking.

3.2 Sizing principles

All rotating parts contain kinetic energy. When the load is braked, the energy difference between the higher speed and the lower speed must be dissipated somewhere. Some of the energy is used in the losses of the motor and the AC drive, but the majority must be dissipated in the brake resistor.

The energy of a load at speed n is given by the formula:

$$E = \frac{1}{2} J \omega^2$$

where

J is the moment of inertia of the load (in kgm^2) and

ω is the rotating speed of the load (in radians/s)

In engineering units

$$E = \frac{1}{182.3} J n^2$$

where n is the rotating speed (in 1/min)

The difference between the energy at two speeds is thus

$$\Delta E = E_1 - E_2 = \frac{1}{182.3} J (n_1^2 - n_2^2) = \frac{1}{2} J (\omega_1^2 - \omega_2^2)$$

The average power required is

$$P = \frac{\Delta E}{t}$$

where t is the braking time.

If the load has a cycle with a total cycle time t_c , the average power of the cycle is

$$P = \frac{\Delta E}{t_c}$$

The chosen resistor must be able to handle this power. If the braking time is longer than 1 minute, the resistor must be sized for the continuous braking power.

3.2.1 Calculating braking time

The time required to accelerate or brake a load can be calculated as follows:

The basic equation is:

$$T = J \frac{d\omega}{dt}$$

where T is the required torque.

The time required to change the speed of a load is

$$\Delta t = J \frac{\omega_1 - \omega_2}{T}$$

or the torque required to change the speed in time t is

$$T = J \frac{\omega_1 - \omega_2}{t}$$

The available torque consists of the torque generated by the motor T_{motor} and the braking torque generated by the load and friction in it T_{load} .

$$T_{total} = T_{motor} + T_{load}$$

In many cases the frictional torque is sufficient to brake the load, it might even be too high, so the motor must drive the load even if the speed is slowing down.

This torque required from the motor should be compared to the rated torque of the motor:

$$T = 9550 \frac{P}{n}$$

If the rated torque is higher, the motor can perform the required acceleration/deceleration.

3.2.2 Calculating the moment of inertia

The moment of inertia as 'seen' by the motor consists of the motor inertia plus the load inertia, changed by the gear ratio as follows:

$$J_{tot} = J_{motor} + g^2 J_{load}$$

where g is the gear ratio, J_{motor} is the motor inertia and J_{load} is the load inertia. The ratio g is > 1 if the load speed is higher than the motor speed and < 1 if the load speed is lower than the motor speed.

In many cases the moment of inertia of the motor is very small compared to the moment of inertia of the load. Only in cases where the load turns very slowly (i.e. the gear ratio is low) the motor inertia is significant.

The moment of inertia of typical shapes is shown in Figure 7.

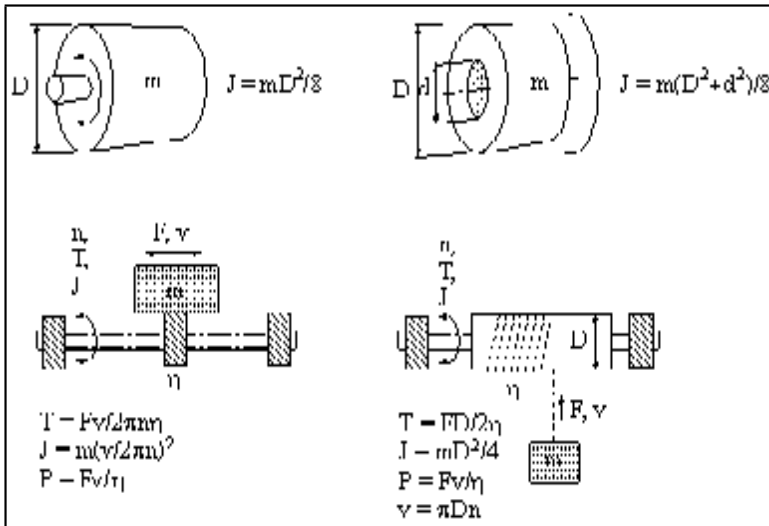


Figure 7.

The moment of inertia of a specific machine is often specified on the rating plate. Otherwise the manufacturer is responsible to give this information.

Sizing procedure:

1. Maximum speed	n_1		rpm
2 Minimum speed	n_2		rpm
3 Moment of inertia = $J_{tot} = J_{motor} + g^2 J_{load}$ $g = \text{gear ratio}$	J		kgm^2
4 Energy to be dissipated	$\Delta E = E_1 - E_2 = \frac{1}{182.3} \frac{J(n_1^2 - n_2^2)}{1000}$		kJ
5 Braking time	t		s
6 Braking power	$P = \frac{\Delta E}{t}$		kW

<p>7 Determine duty cycle for braking</p> <p>t_1 = duration of cycle – assumption 120 s.</p>	$f = \frac{t}{t_1}$		
<p>8 Determine average power for the resistor</p>	$P_{ave} = fP$		kW
<p>9 Calculate the relative power required.</p> <p>P_{res} = peak power of chosen resistor</p>	$P_{rel} = \frac{P_{ave}}{P_{res}}$		%
<p>10 Verify that the pair of values in 7 and 9 are within limits for the chosen resistor – see Figure 7</p>			
<p>7 Calculate the braking torque required</p>	$T = J \times 0.105 \times \frac{n_1 - n_2}{t}$		Nm
<p>8 Verify motor rated torque > required torque</p> <p>P_M in kW</p> <p>n_M in rpm</p>	$T_M = 9550 \times \frac{P_M}{n_M}$		Nm

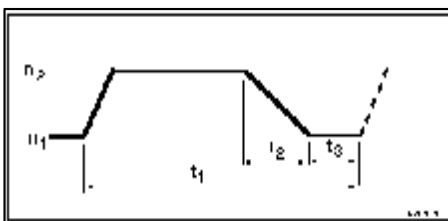


Figure 8. Speed profile of one drive cycle.

- t_1 = length of cycle
- t_2 = deceleration time
- t_3 = stop time
- n_1 = minimum speed of motor
- n_2 = maximum speed of motor

The relative power handling capability of the standard resistor ranges is shown in the figure below:

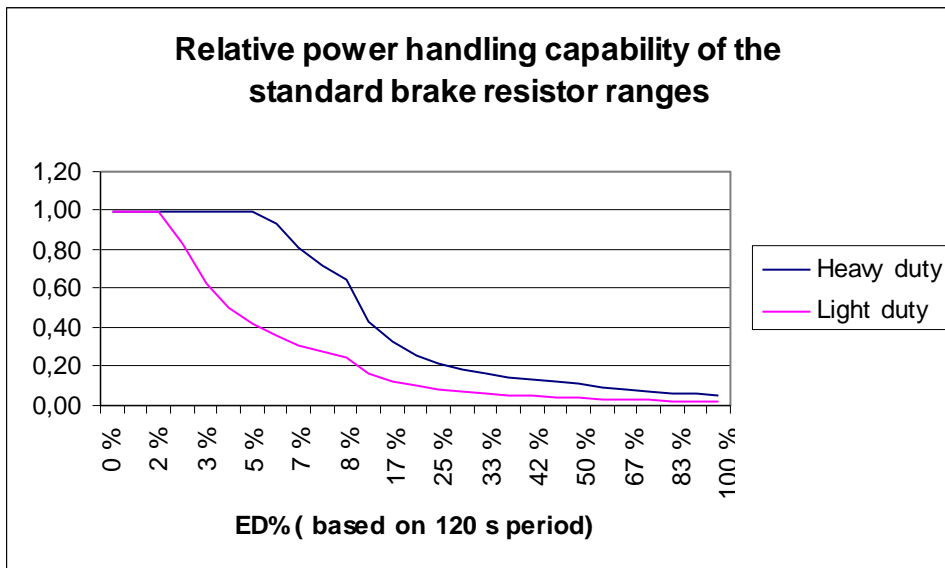


Figure 9.

Verify the following:

a) The chosen brake resistor type can handle the required power. (Note that as the brake IGBT current is limited by the device, a resistance with a smaller impedance than the minimum specified for the AC drive cannot be used.)

b) If this is not the case, the resistor has to be sized specifically for the application. In many cases a suitable combination of series and parallel connection of standard resistances may be the solution, in others a special resistor must be defined and manufactured.

3.2.3 Internal resistors

The enclosure sizes FR4, FR5 and FR6 (380-500 V) can be equipped with an internal brake resistor as a factory option. The brake resistors are designed for a 2 second full torque braking from nominal motor speed to zero or a 1 second full power braking every minute.

Type code	Resistance [Ω]	Energy 2 s full torque braking [kJ]	Average power 1 pulse/min [W]
NX_5 FR4	120	4	45
NX_5 FR5	55	8.9	100
NX_5 FR6	30	16	175

Table 12.

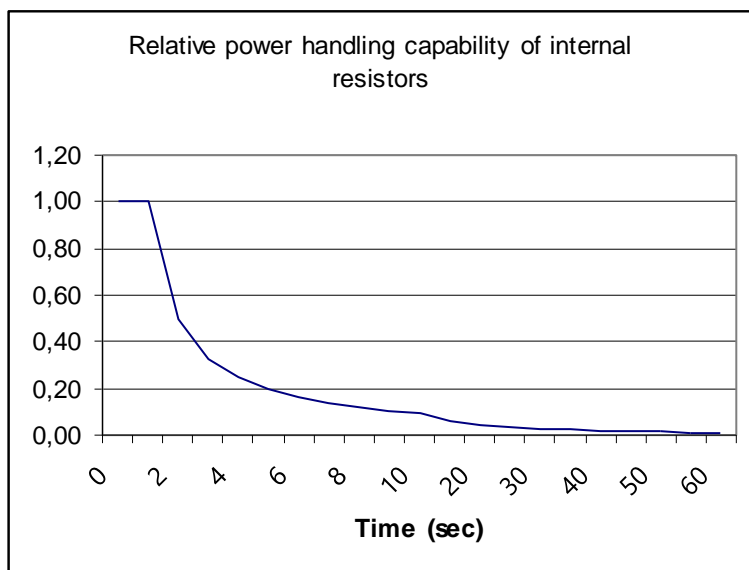


Figure 10.

4. CONNECTIONS

4.1 General

Make sure that your AC drive is equipped with a brake chopper. This is a factory installed option!

The brake resistor is connected to the DC+ and R- connectors on the AC drive. The minimum cable sizes are shown in Table 1 and Table 2. When you size the cables, note that the input fuses of the AC drive also protect this cable.

Avoid running the brake resistor cable too near other cables. The recommended minimum distance to e.g. the control cables is 0.5 m.

NOTE! To connect the brake resistor, disconnect the AC drive from the mains. Wait a further 5 minutes before opening the AC drive cover. Perform measurements to ensure that no voltage is present on the DC and R- connectors.

Read chapter Safety in the User Manual of your PosDrive NX product.

Resistor	Cable and terminal	Resistor	Cable and terminal
BRR 0025 LD 2	Integral AWG16		
BRR 0031 LD 2	Integral AWG16	BRR 0031 HD 2	6
BRR 0061 LD 2	Integral AWG16	BRR 0061 HD 2	6
BRR 0114 LD 2	Integral AWG10	BRR 0114 HD 2	16
BRR 0205 LD 2	16-50	BRR 0205 HD 2	16-50
BRR 0022 LD 5	Integral AWG16	BRR 0022 HD 5	6
BRR 0031 LD 5	Integral AWG16	BRR 0031 HD 5	6
BRR 0045 LD 5	Integral AWG16	BRR 0045 HD 5	6
BRR 0061 LD 5	Integral AWG14	BRR 0061 HD 5	16
BRR 0105 LD 5	16	BRR 0105 HD 5	M8 / 3X16+16
BRR 0300 LD 5	16-50	BRR 0300 HD 5	M8 / 3X70+35
BRR 0520 LD 5	M8 / 3X95+50	BRR 0520 HD 5	M8 / 3X95+50
BRR 0730 LD 5	M8 / 3X95+50	BRR 0730 HD 5	M8 / 3X95+50
BRR 0013 LD 6	Integral AWG16	BRR 0013 HD 6	6
BRR 0034 LD 6	Integral AWG16	BRR 0034 HD 6	6
BRR 0052 LD 6	Integral AWG14	BRR 0052 HD 6	6
BRR 0100 LD 6	16-50	BRR 0100 HD 6	M8/3X16+16
BRR 0208 LD 6	16-50	BRR 0208 HD 6	M8/3X50+25
BRR 0416 LD 6	M8/ 3X70+35	BRR 0416 HD 6	M8/ 3X70+35
BRR 0590 LD 6	M8/ 3X70+35	BRR 0590 HD 6	M8/ 3X70+35

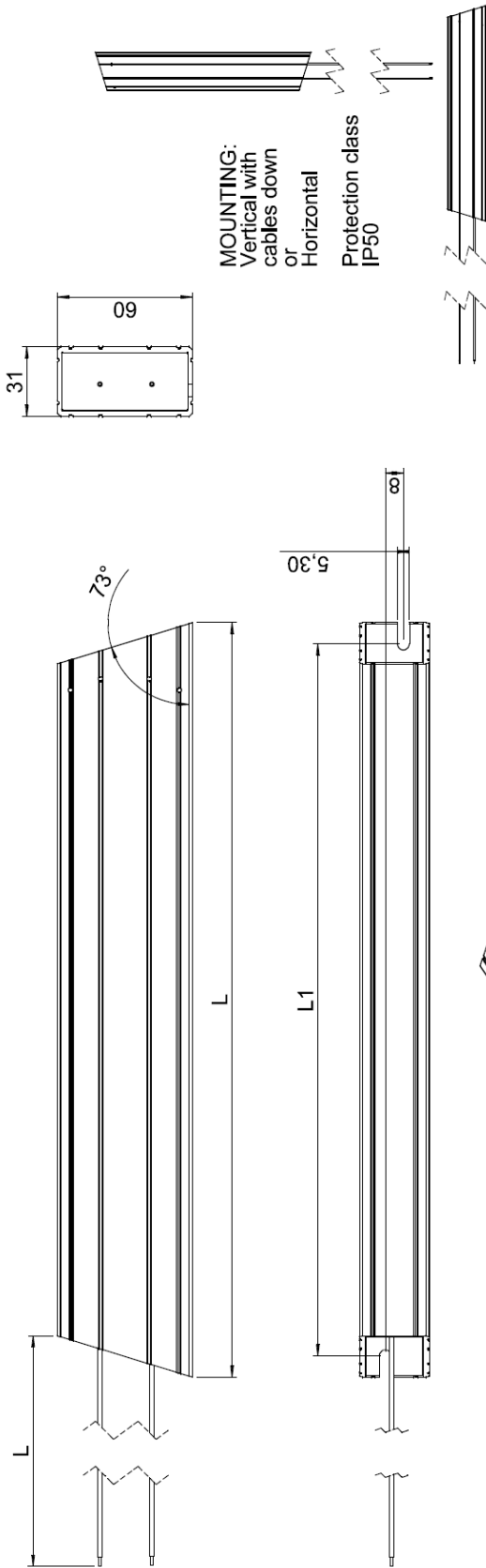
Table 13. Cable sizing

M8 = M8 bolt on the resistor

Only two conductors of a normal three phase cable are needed. The shield of the cable should be connected at each end. The third, unused conductor should be grounded by connecting it to ground at one end.

AWG Number	Ø [In]	Ø [mm]	Ø [mm ²]
6/0 = 000000	0.580	14.73	170.30
5/0 = 00000	0.517	13.12	135.10
4/0 = 0000	0.460	11.7	107
3/0 = 000	0.410	10.4	85.0
2/0 = 00	0.365	9.26	67.4
1/0 = 0	0.325	8.25	53.5
2	0.258	6.54	33.6
4	0.204	5.19	21.1
6	0.162	4.11	13.3
8	0.128	3.26	8.36
10	0.102	2.59	5.26
12	0.0808	2.05	3.31
14	0.0641	1.63	2.08
16	0.0508	1.29	1.31
18	0.0403	1.02	0.823
20	0.0320	0.812	0.518

Table 14. Cable sizes



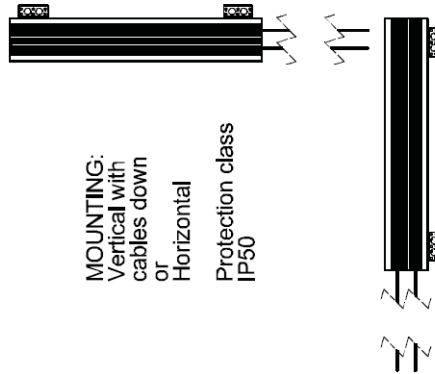
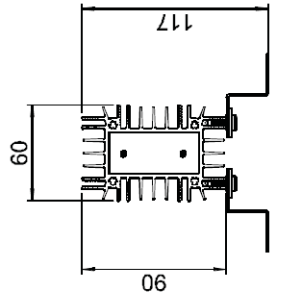
VACON TYPE	R OHM	FRAME SIZE	CABLE mm ²	LINE VOLTAGE V	NOMINEL POWER Kw	L mm	L1 mm	Weight kg	ID
BRR 0025 LD 2	30	F4/F5	AWG16	230	0.11	165	146	0.39	CBV 165 C 30R
BRR 0031 LD 2	20	F5	AWG16	230	0.2	285	246	0.88	CBV 265 C 20
BRR 0061 LD 2	10	F6	AWG16	230	0.33	405	386	1.45	CBV 405 CH 10R
BRR 0022 LD 5	63	F4/F5	AWG16	500	0.27	335	316	1.2	CBV 335 C 63R
BRR 0013 LD 6	100	F6	AWG16	690	0.33	405	386	1.45	CBV 405 C 100R
BRR 0022 FP 5	63		AWG16		0.27	335	316	1.2	CBV 335 C 800 63R

VACON OYj
 Runsorintie 7 Tel: + 358 (0) 201 2121
 P.O. Box 25 Fax: + 358 (0) 201 212207
 01531 WASA
 FINLAND

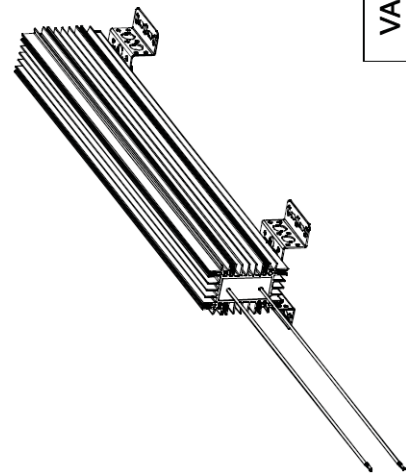
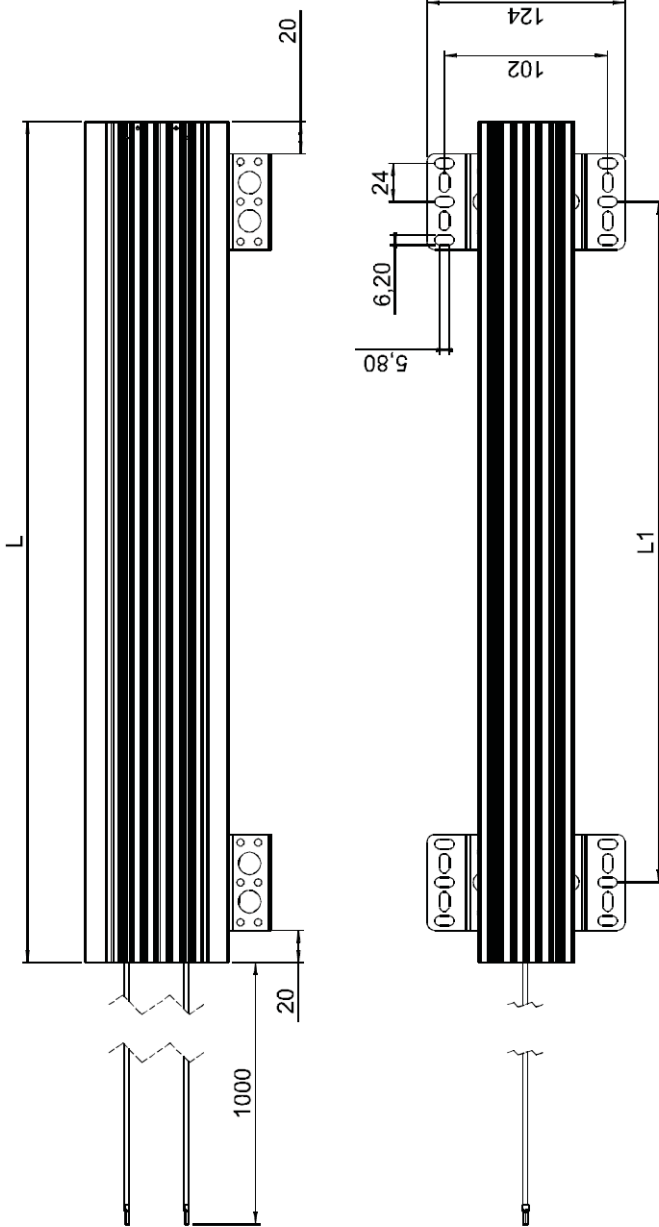
DRAWN: **P. Mandel** NOTE: FILE: SHEET: **A3**

APPROVED: NAME: DRAWING NO: **430CBVXXXC** REVISION:

SCALE: **1:2** PROJ: **BRR 0025 LD 2**



MOUNTING:
Vertical with
cables down
or
Horizontal
Protection class
IP50



VACON TYPE	R OHM	FRAME SIZE	CABLE mm ²	LINE VOLTAGE V	NOMINEL POWER Kw	L mm	L1 mm	Weight kg	ID
BRR 0114 LD 2	3,3	Fr7	AWG10	230	0,95	426	326	3,3	CBR-V 426 CH 3R3
BRR 0031 LD 5	42	Fr5	AWG16	500	0,35	405	386	1,45	CBV 405 C 423 42R UL
BRR 0045 LD 5	21	Fr6	AWG16	500	0,71	426	326	3,3	CBR-V 426 CH 800 21R
BRR 0061 LD 5	14	Fr6	AWG14	500	1,06	526	426	4	CBR-V 526 CH 800 14R
BRR 0034 LD 6	30	Fr6	AWG16	690	0,94	426	326	3,3	CBR-VM 426 CH 30R
BRR 0052 LD 6	18	Fr7	AWG14	690	1,57	725	626	5,6	CBR-VM 725 CH 18R

VACON OYJ
Russonitie 7 Tel: + 358 (0) 201 2121
C. Pöytäkatu Fax: + 358 (0) 201 212207
65200 MAASA
FINLAND

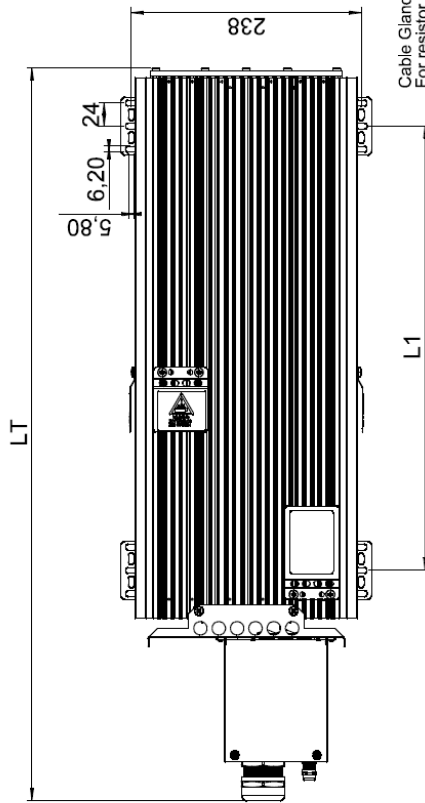
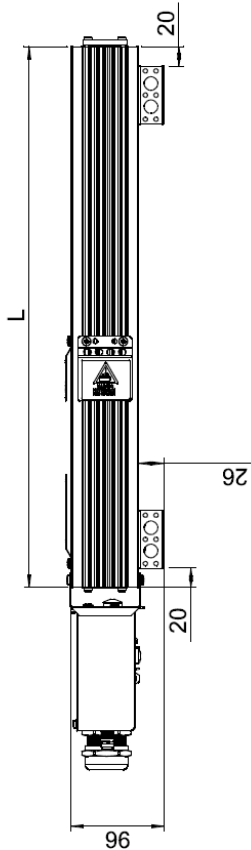
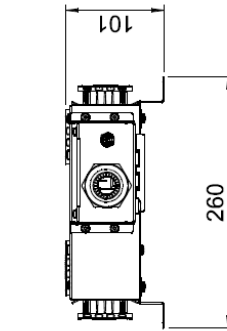
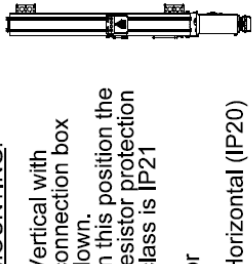
DRAWN: P.Mandel
APPROVED:
SCALE: 1:3

NOTE:
NAME:
PROJ:

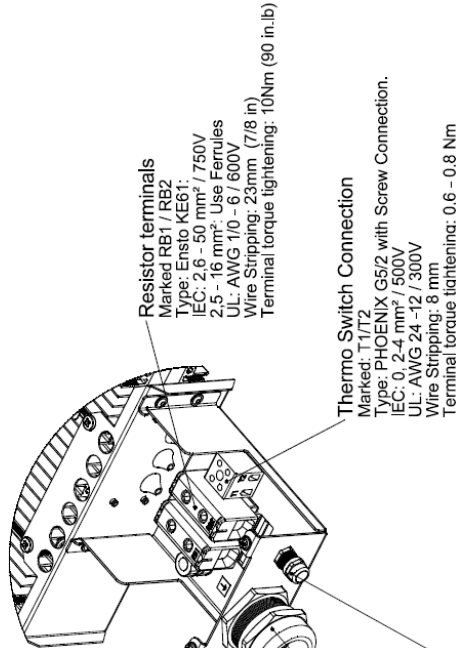
FILE:
DRAWING NO: BRR 0114 LD2
SHEET: A3
REVISION: 430CBR-Vxxx

MOUNTING:

Vertical with connection box down.
In this position the resistor protection class is IP21
or
Horizontal (IP20)



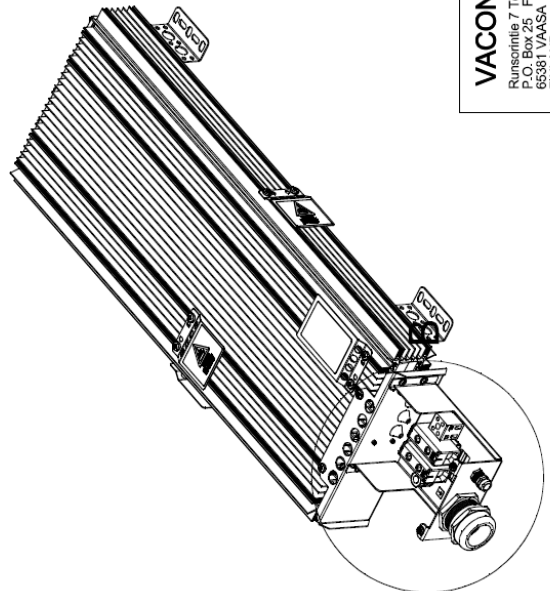
DETAIL B
SCALE 1 : 3



Resistor terminals
Marked RB1 / RB2
Type: Ensto KE61
IEC: 2,8 - 50 mm² / 750V
2,5 - 16 mm²: Use Ferrules
UL: AWG 1/0 - 6 / 600V
Wire Stripping: 23mm (7/8 in)
Terminal torque tightening: 10Nm (90 in.lb)

Thermo Switch Connection
Marked: T1/T2
Type: PHOENIX G5/2 with Screw Connection.
IEC: 0, 2-4, mm² / 500V
UL: AWG 24-12 / 300V
Wire Stripping: 8 mm
Terminal torque tightening: 0,6 - 0,8 Nm

Cable Gland with Screen Connection
For resistor cable
MS-SC-M
Clamping Range: 19-28 mm
Minimum Braid Diam.: 15 mm
Cable gland for Thermo switch Connection
MS-M
Clamping Range: 3,5 - 7,0 mm



VACON TYPE	R	OHM	FRAME	CABLE	LINE VOLTAGE VAC	NOMINEL POWER	L	L1	LT	WEIGHT	Thermostat	ID
BRR 0205 LD 2	1,4	Fr8/ Fr9	16-50	230	2,5	545	454	745	11	N	CBT-H 545 GH 181 1R4	
BRR 0114 HD 2	3,3	F7	16	230	2,8	660	560	860	12,8	Y	CBT-H 660 GH 281 3R3	
BRR 0105 LD 5	6,5	F7	16	500	2,8	660	660	860	12,8	N	CBT-H 660 GH 281 6R3	
BRR 0061 HD 5	14	F6	16	500	2,8	660	660	860	12,8	Y	CBT-H 660 GH 281 14R	
BRR 0100 LD 6	9	F8	16-50	690	3,2	760	660	960	14,6	N	CBT-H 760 GH 281 9R0	

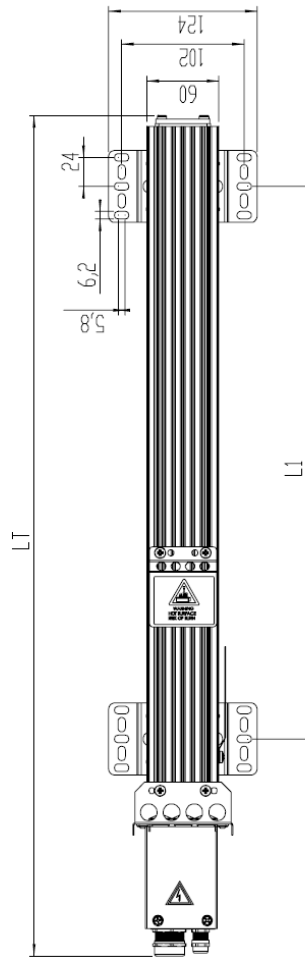
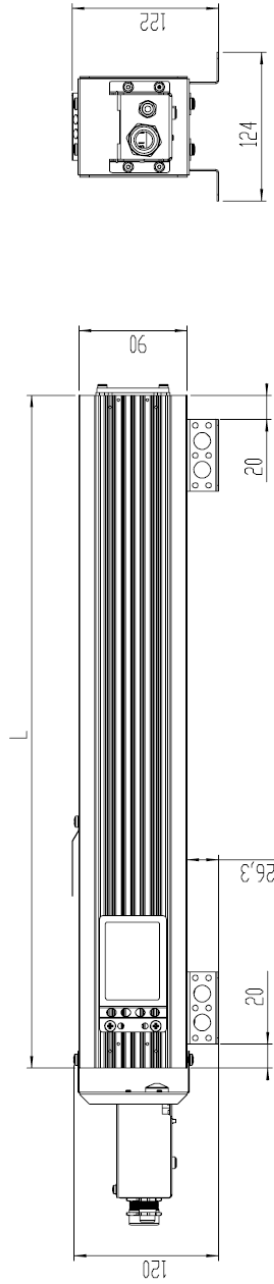
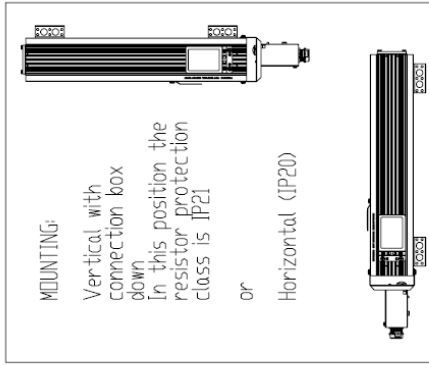
VACON OYJ
Runsonitie 7 Tel: + 358 (0) 201 2121
P.O. Box 25 Fax: + 358 (0) 201 212207
65381 VAASA
FINLAND

DRAWN: PM
APPROVED:
SCALE: 1:5
PROJ:

NOTE:
NAME: BRR 0205 LD 2

FILE:
DRAWING NO: 430CBT-HxxxxGT281
REVISION:

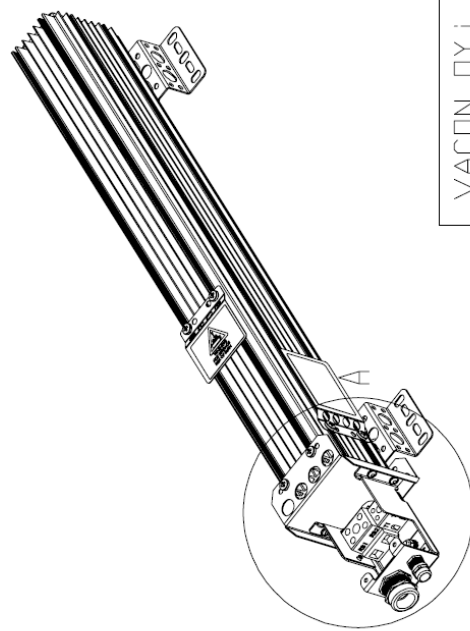
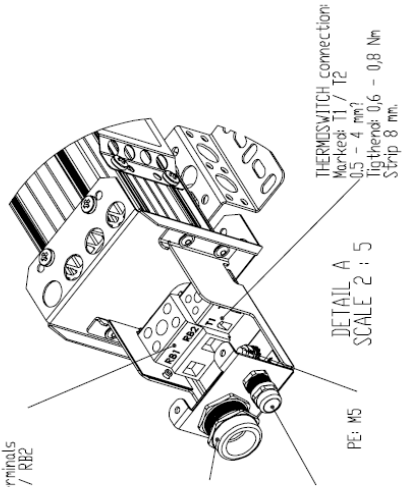
SHEET: A3



RESISTOR terminals
Marked RB1 / RB2
1,5 - 10 mm?

SKINTIP IP 65
MS-M NR. 5311 2010 M16x1,5
Clamping range 4,5-10
-30°C - 100°C

SKINTIP IP 65
MS-M NR. 5311 2000 M12x1,5
Clamping range 3,5-7
-30°C - 100°C



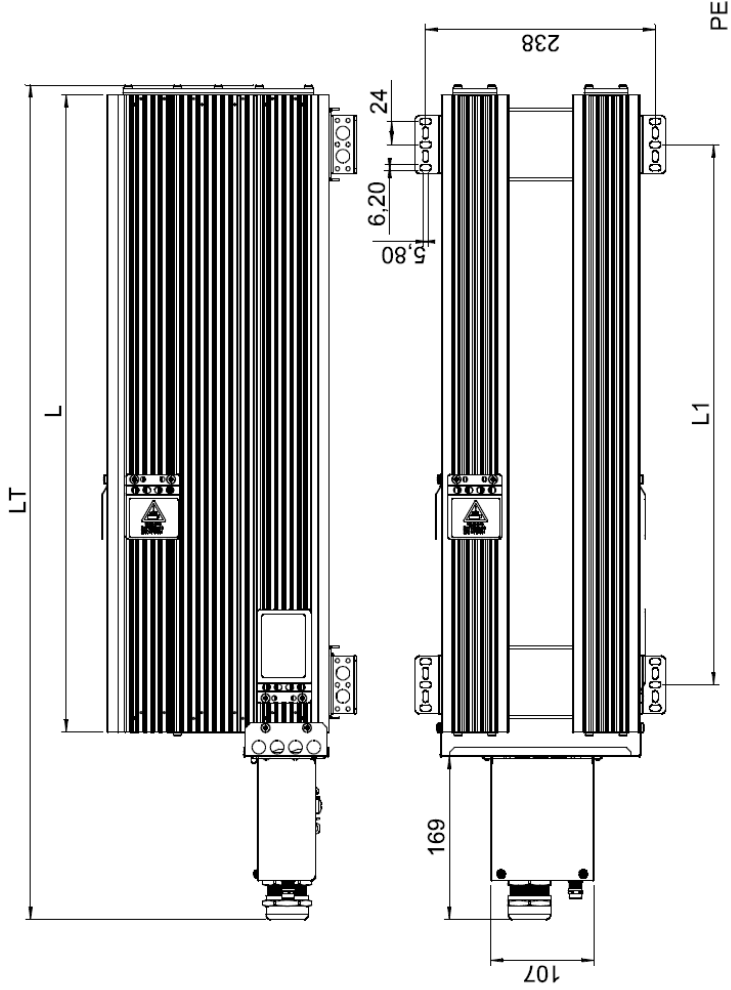
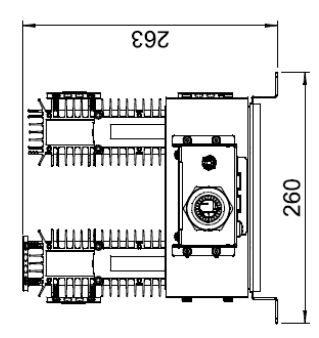
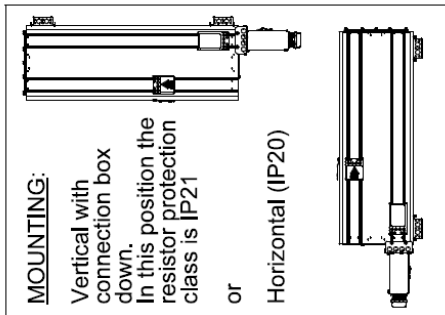
VACON TYPE	R OHM	FRAME SIZE	CABLE mm ²	LINE VOLTAGE V	NOMINEL POWER Kw	L mm ±2	L1 mm ±2	LT mm ±5	Weight kg	ID
BRR 0031 HD 2	20	F15	6	230	0.45	260	160	400	2.4	CBR-V260 DT 281 20R
BRR 0061 HD 2	10	F16	6	230	0.96	560	460	700	4.6	CBR-V 560 DHT 281 10R
BRR 0022 HD 5	63	F14/F15	6	500	0.68	400	300	540	3.5	CBR-V 400 DT 281 63R
BRR 0031 HD 5	42	F15	6	500	0.96	560	460	700	4.6	CBR-V 560 DHT 281 42R
BRR 0013 HD 6	100	F16	6	690	0.79	460	360	600	3.9	CBR-V 460 DT 100R

VACON OY J
Rensselaantie 7 Tel: + 358 (0) 201 2121
P.O. Box 65 Fax: + 358 (0) 201 212207
FINLAND

DRAWN: P. Marndel
APPROVED:
SCALE: 1:4

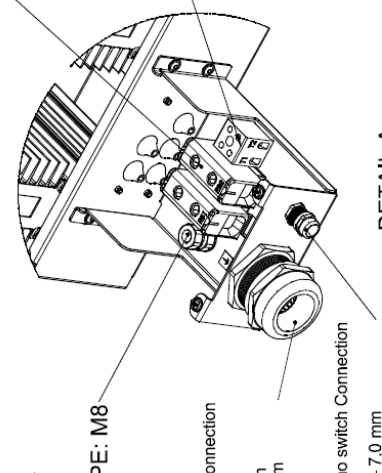
NOTE: BRR 0031 HD 2
DRAWING NO: 430CBR-VXXXDT281

FILE: SHEET: A3
REVISION:



Resistor terminals
Marked RB1 / RB2
Type: Ensto-KE61:
IEC: 2.6 - 50 mm² / 750V
2.5 - 16 mm²: Use Ferrules
UL: AWG 10 - 6 / 600V
Wire Stripping: 23mm (7/8 in)
Terminal torque tightening: 10Nm (90 in.lb)

Thermo Switch Connection
Marked: T1/T2
Type: PHOENIX G5/2 with Screw Connection.
IEC: 0, 2-4 mm² / 500V
UL: AWG 24 -12 / 300V
Wire Stripping: 8 mm
Terminal torque tightening: 0.6 - 0.8 Nm

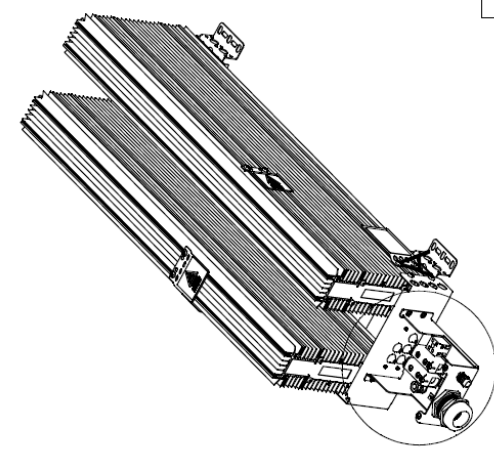


PE: M8

Cable Gland with Screen Connection
For resistor cable
MS-SC-M
Clamping Range: 19-28 mm
Minimum Braid Diam: 15 mm

Cable gland for Thermo switch Connection
MS-M
Clamping Range: 3.5 - 7.0 mm

VACON TYPE	R	OHM	FRAME	CABLE	LINE	NOMINEL	Weight	Thermostat	ID
BRR 0205 HD 2	1.4	F18/F19	16-50	mm ²	VAC	kW	LT	L	L1
BRR 0300 LD 5	3.25	F18/F19	16-50	mm ²	VAC	kW	960	680	680
BRR 0208 LD 6	7	F19	16-50	mm ²	VAC	kW	960	680	680
							29	680	680
							29	680	680
							26	680	680



VACON OY
Runsmile 7 Tel: + 358 (0) 201 2121
P.O. Box 25 Fax: + 358 (0) 201 212207
65381 VAAASA
FINLAND

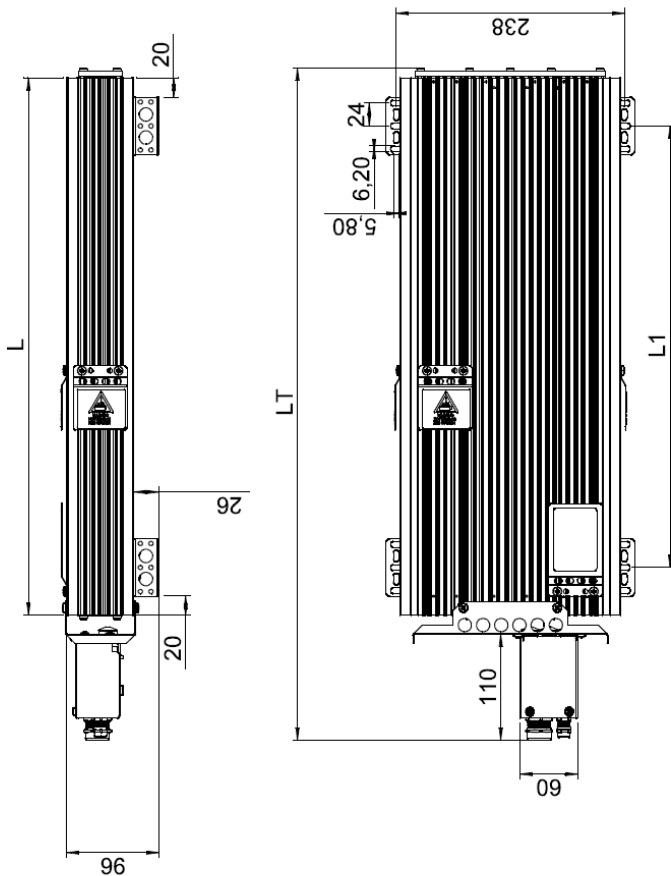
DRAWN: **PM**
APPROVED:

NOTE: NAME: **BRR 0205 HD2**

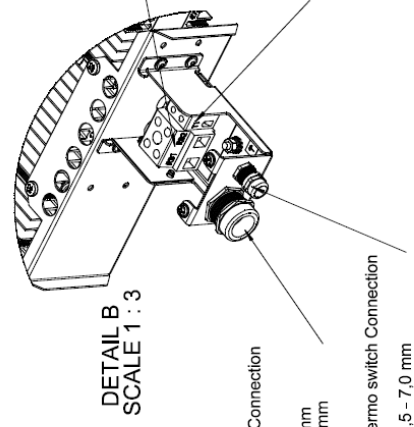
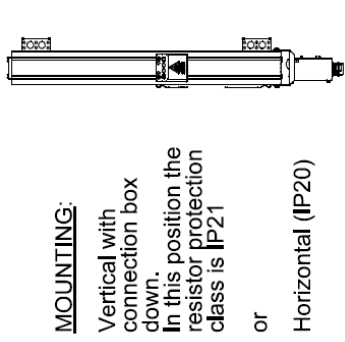
FILE: SHEET: **A3**

DRAWING NO: **430CBT-VxxxGT282**
REVISION:

SCALE: **1:5** PROJ:



MOUNTING:
Vertical with connection box down.
In this position the resistor protection class is IP21
or
Horizontal (IP20)

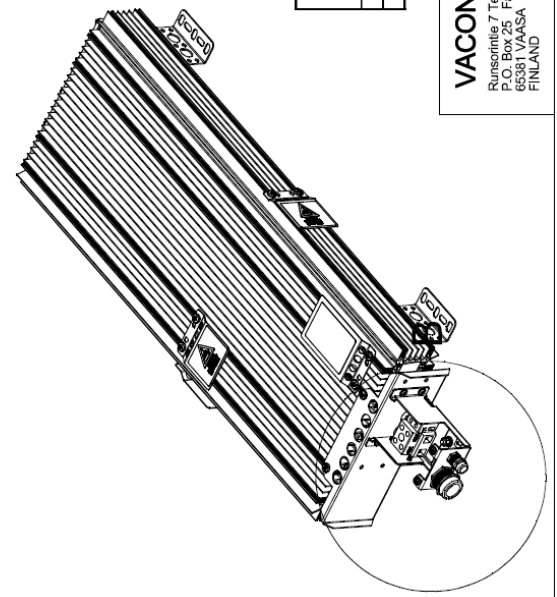


Resistor terminals
Marked RB1 / RB2
Type: PHOENIX G10/2:
IEC: 0.5 - 10 mm² / 800V
UL: AWG 20/- 6 / 600V
Wire Stripping: 12mm
Terminal torque tightening: 1.5-1.8 Nm

Thermo Switch Connection
Marked: T1/T2
Type: PHOENIX G5/2 with Screw Connection.
IEC: 0, 2.4 mm² / 500V
UL: AWG 24 -12 / 300V
Wire Stripping: 8 mm
Terminal torque tightening: 0.6 - 0.8 Nm

Cable Gland with Screen Connection
For resistor cable
MS-SC-M
Clamping Range: 9-16.6 mm
Minimum Braid Diam: 7.5 mm

Cable gland for Thermo switch Connection
MS-M
Clamping Range: 3.5 - 7.0 mm



VACON TYPE	R	FRAME SIZE	CABLE mm ²	LINE VOLTAGE VAC	NOMINEL LOAD Kw	L	L1	LT	Weight kg	Thermostat	ID
BRR 0045 HD 5	21	F16	6	500	2.2	560	460	700	11,3	Y	CBT-H 560 DHT 281 21R
BRR 0034 HD 6	30	F17	6	690	2.8	660	560	800	13	Y	CBT-H 660 DHT 281 30R

VACON OY
Runsortitie 7, Tel: + 358 (0) 201 2121
P.O. Box 25 Fax: + 358 (0) 201 212207
65381 VAASA
FINLAND

DRAWN: PM
APPROVED:
SCALE: 1:5

NOTE: NAME: BRR 0045 HD5
FILE: SHEET: A3
DRAWING NO: 430CBT-HXXXDT281
REVISION:

VACON code	Ohm	Enclosure size	Connect ion	Cable [mm]	Vac	Pn [kW]	Weight [kg]
BRR 0052 HD6	18	FR7/ 16mm ²	M8/ 3X10+10	20	690 V	4.0	15

Connection:

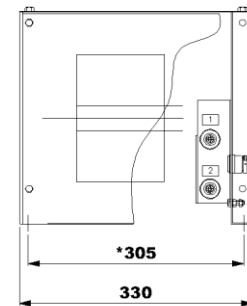
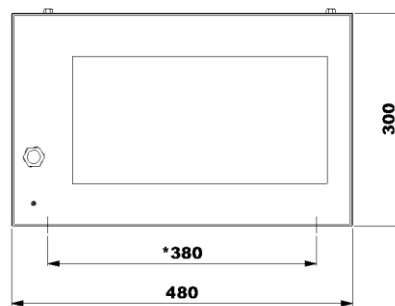
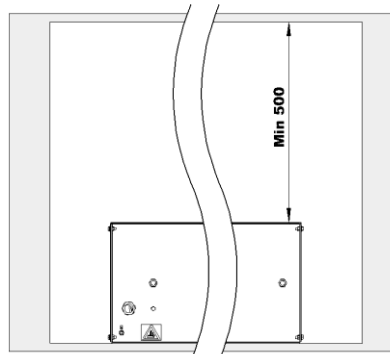
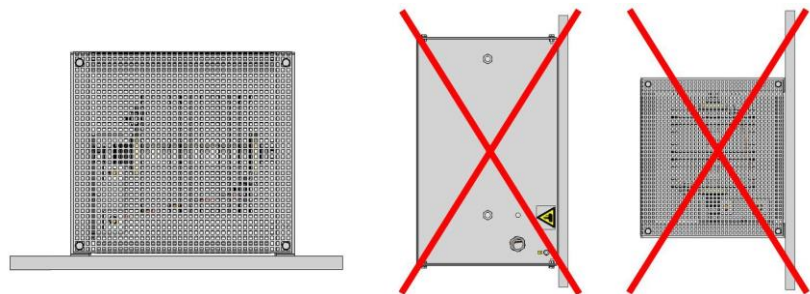
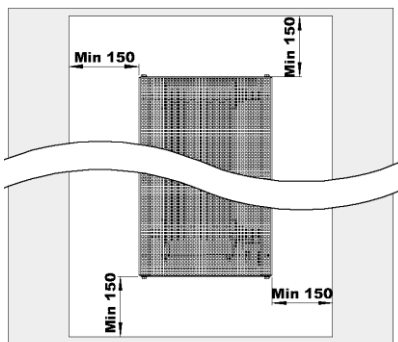
A	Terminals for cable M8 torque moment 4.5 [Nm]	
B	Terminals for cable M8 torque moment 4.5 [Nm]	
C	Cable gland SH21, clamping range 18 – 23.5 mm	
D	Connection Earth (PE)	

1	Cable	
2	Screen braiding	
3	Cable gland	
4	Core	

The connection cable to the brake resistor is to be screened/armoured. Always connect the screen/armouring in both ends.

Mounting:

NOTE! For proper performance, the resistor sheets have to be vertical.



* Mounting holes

VACON code	Ohm	Enclosure size	Connect ion	Cable [mm]	Vac	Pn [kW]	Weight [kg]
BRR 0105 HD 5	6.5	FR7/ 16mm ²	M8 / 3X10+10	20	500 V	6.92	17
BRR 0100 HD 6	9.0	FR10/ 16 mm ²	M8 / 3X16+16	23	690 V	9.4	20

Connection:

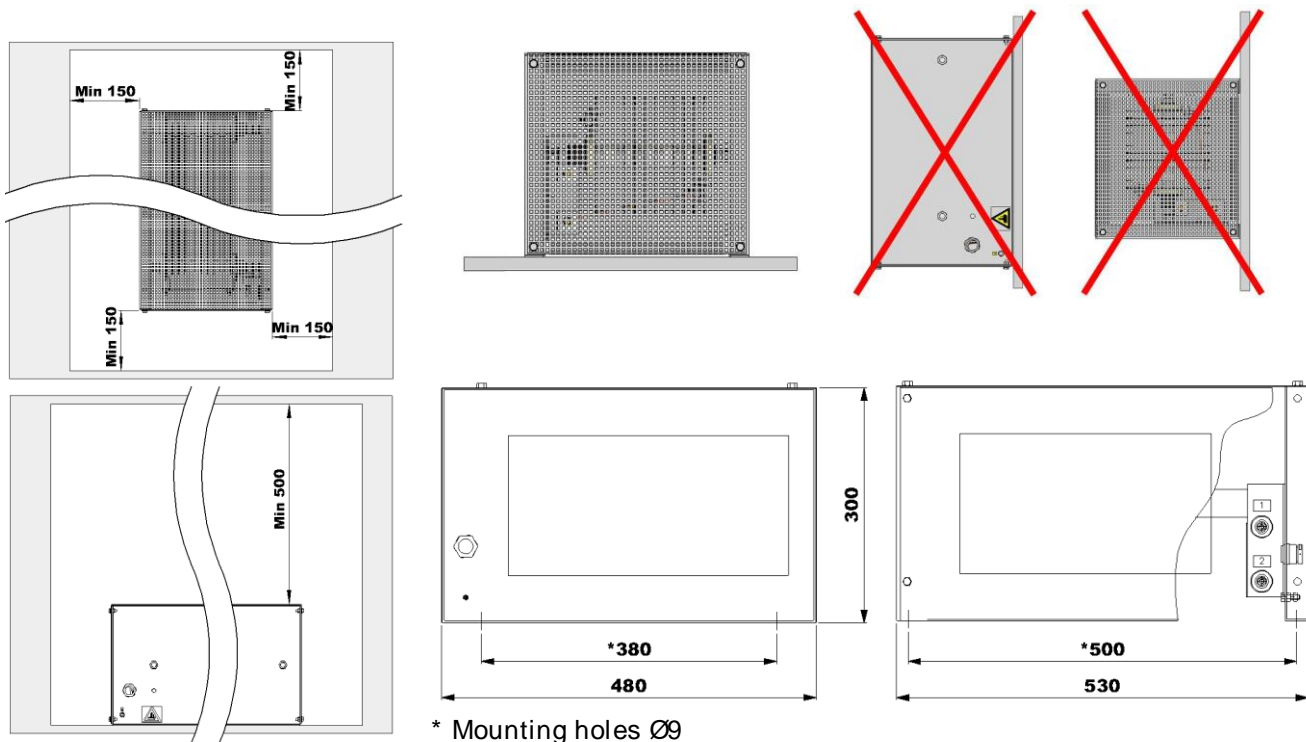
A	Terminals for cable M8 torque moment 4.5 [Nm]	
B	Terminals for cable M8 torque moment 4.5 [Nm]	
C	Cable gland M25, clamping range 18 – 23.5 mm	
D	Connection Earth (PE)	

1	Cable	
2	Screen braiding	
3	Cable gland	
4	Core	

The connection cable to the brake resistor is to be screened/armoured. Always connect the screen/armouring in both ends.

NOTE! For proper performance, the resistor sheets have to be vertical.

Mounting:



VACON code	Ohm	Danotherm code	Enclosure size	Connection	Cable [mm]	Vac	Pn [kW]	Weight [kg]
BRR 0300 HD5	3.25	BRC 17 AT20 3R25 E726	FR8/FR9	M8/ 3x70+35	32	500 V	12.84	30
BRR 0520 LD5	1.4	BRC 17 AT20 1R4 E725	FR10	M8/ 3x95+50	37	500 V	12.3	30
BRR 0208 HD6	7	BRC 17 AT20 7R E724	FR11	M8/ 3x50+25	28	690 V	12	30
BRR 0416 LD6	2.5	BRC 17 AT20 2R5 E726	FR10	M8/ 3x70+35	32	690 V	13	30

Connection:

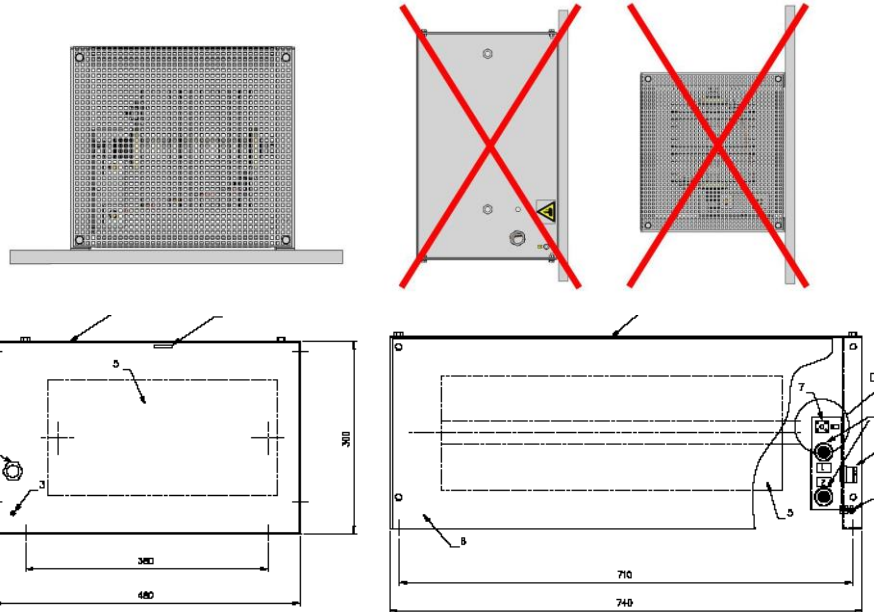
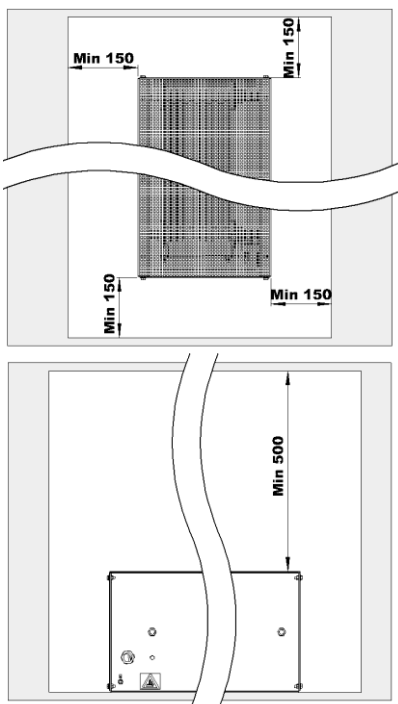
A	Terminals for cable M8 torque moment 4.5 [Nm]	
B	Terminals for cable M8 torque moment 4.5 [Nm]	
C	Cable gland M25, clamping range 18 – 23.5 mm	
D	Connection Earth (PE)	

1	Cable	
2	Screen braiding	
3	Cable gland	
4	Core	

The connection cable to the brake resistor is to be screened/armoured.
Always connect the screen/armouring in both ends.

Mounting:

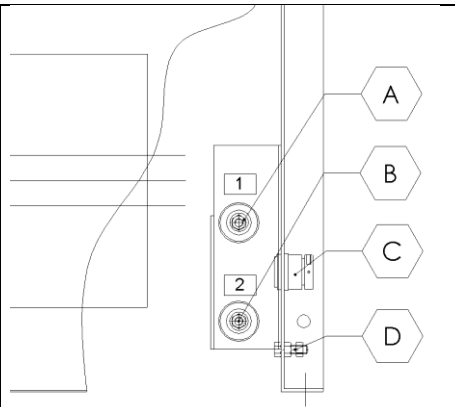
NOTE! For proper performance, the resistor sheets have to be vertical.

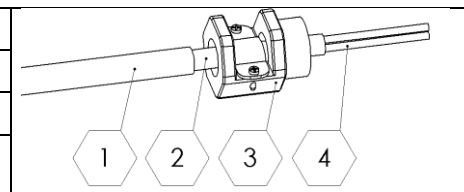


* Mounting holes Ø9

VACON code	Ohm	Enclosure size	Connect ion	Cable [mm]	Vac	Pn [kW]	Weight [kg]
BRR 0730LD 5	0.9	FR11	M8 / 3X95+50	37	500 V	19.2	35
BRR 0590LD 6	1.7	FR11/ 50 mm ²	M8 / 3X70+35	32	690 V	19.0	35

Connection:

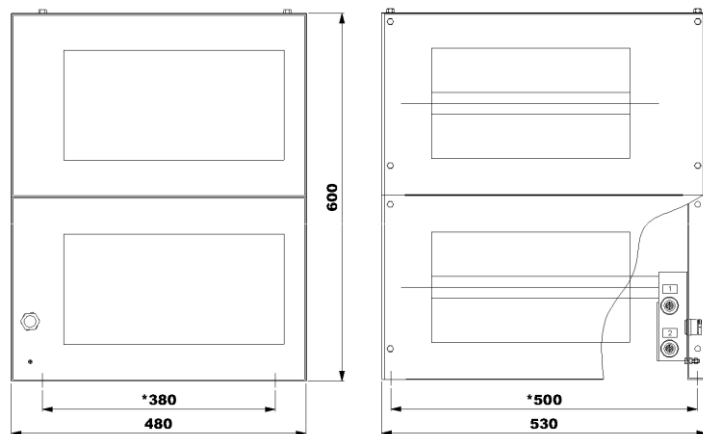
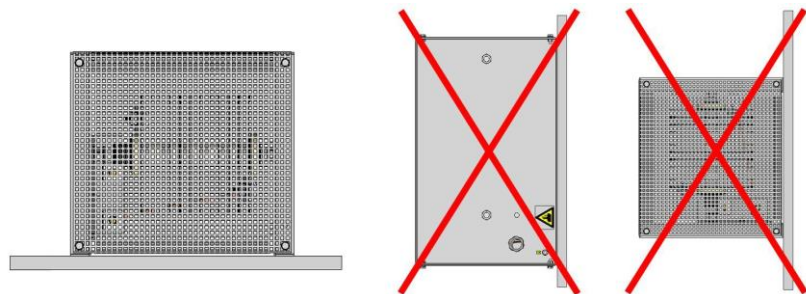
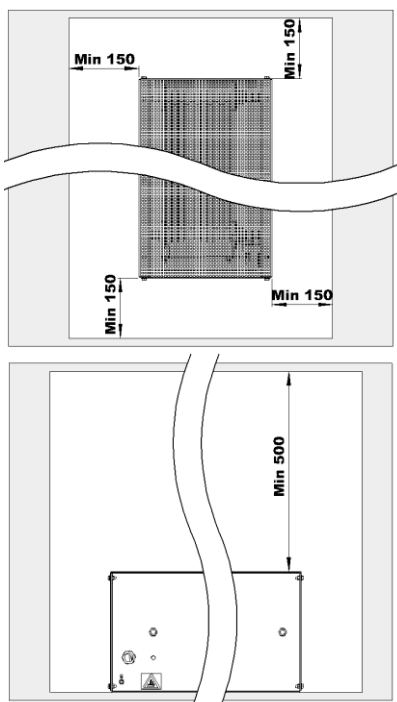
A	Terminals for cable M8 torque moment 4.5 [Nm]	
B	Terminals for cable M8 torque moment 4.5 [Nm]	
C	Cable gland SH40, clamping range 29 – 40.5 mm	
D	Connection Earth (PE)	

1	Cable	
2	Screen braiding	
3	Cable gland	
4	Core	

The connection cable to the brake resistor is to be screened/armoured. Always connect the screen/armouring in both ends.

NOTE! For proper performance, the resistor sheets have to be vertical.

Mounting:



* Mounting holes Ø9

VACON code	Ohm	Enclosure size	Connection	Cable [mm]	Vac	Pn [kW]	Weight [kg]
BRR 0520 HD5	1.4	FR10	M8 / 3X95+50	37	500 V	32	90
BRR 0416 HD6	2.5	FR10	M8 / 3X70+35	32	690 V	33.8	90

Connection:

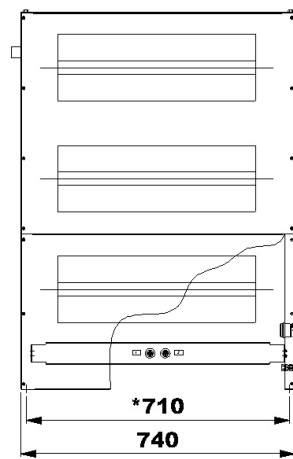
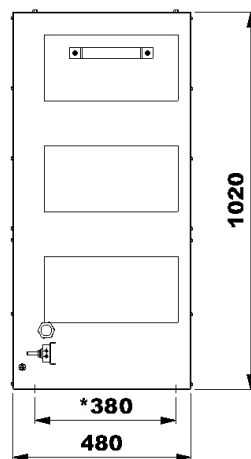
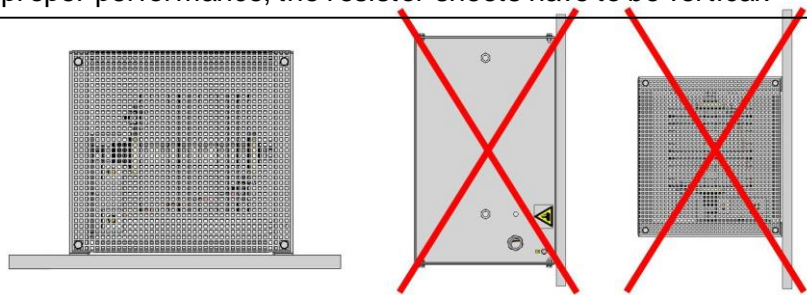
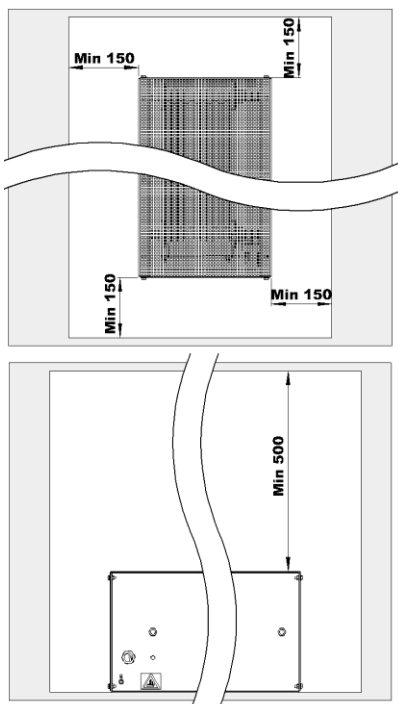
A	Cable gland SH40, clamping range 29 – 40.5 mm	
B	Terminals for cable M8 torque moment 4.5 [Nm]	
C	Connection Earth (PE)	

1	Cable	
2	Screen braiding	
3	Cable gland	
4	Core	

The connection cable to the brake resistor is to be screened/armoured. Always connect the screen/armouring in both ends.

NOTE! For proper performance, the resistor sheets have to be vertical.

Mounting:



* Mounting holes Ø9

VACON code	Ohm	Enclosure size	Connect ion	Cable [mm]	Vac	Pn [kW]	Weight [kg]
BRR 0730 HD 5	0.9	FR11	M8/ 3X95+50	37	500 V	49.9	120
BRR 0590 HD 6	1.7	FR12	M8/ 3X70+35	32	690 V	49.7	120

Connection:

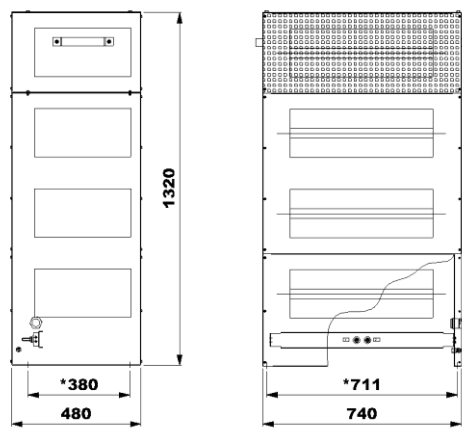
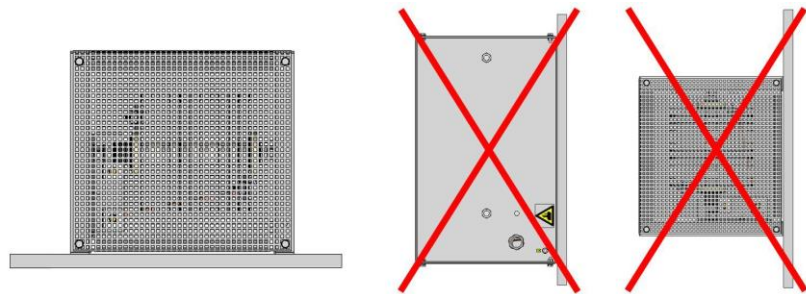
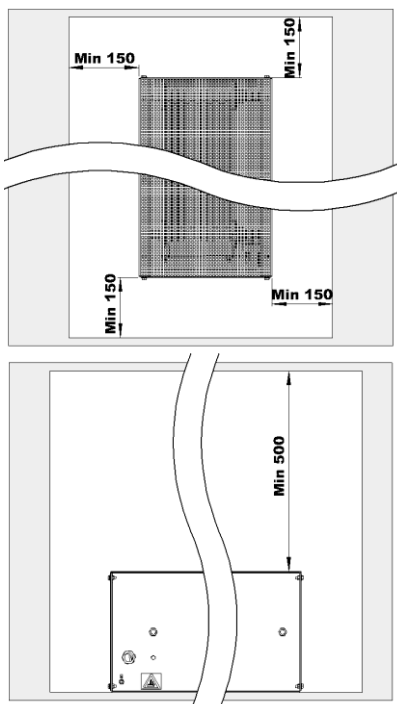
A	Cable gland SH40, clamping range 29.0 – 40.5 mm	
B	Terminals for cable M8 torque moment 4.5 [Nm]	
C	Connection Earth (PE)	

1	Cable	
2	Screen braiding	
3	Cable gland	
4	Core	

The connection cable to the brake resistor is to be screened/armoured.
Always connect the screen/armouring in both ends.

NOTE! For proper performance, the resistor sheets have to be vertical.

Mounting:



* Mounting holes Ø9

Document ID:



DPD01573C

Rev. C

Sales code: DOC-INSBRAKE+DLUK